

WATERMAX® PULSE

MAXIMUM PERFORMANCE, MINIMUM COST

Designed to simplify installation and maximize performance, the WaterMax Pulse is a pre-engineered packaged pump station ideal for small sports fields, schools, parks, large residential and commercial applications. The smart design provides users a simple, low-maintenance system with the most features in its class.



- Mounting space for irrigation controller of your choice*
- Marine-grade aluminum corrosion-resistant construction
- External green and red status lights for quick visual indication
- Removable lid and front panel for full access

SPECIFICATIONS

Applications	Booster, Suction Lift or Flooded Intake
Flow Range	Up to 120 GPM
Pressure	Up to 65 PSI (Booster), 60 PSI (Suction Lift)
Horsepower	5 HP
Voltage (1 or 3 Phase)	<ul style="list-style-type: none"> • 208V/60Hz • 230V/60Hz



- Forklift-ready skid for easy access lifting points
- Light-weight (400lbs) design for easy transport



ADDITIONAL BENEFITS

- ✓ SHIPS IN 1 WEEK OR LESS
- ✓ FACTORY TESTED PRIOR TO SHIPMENT
- ✓ 2 YEAR WARRANTY
- ✓ UL LISTED PACKAGED PUMP STATION
- ✓ FCC COMPLIANT IN ALL COMMERCIAL ENVIRONMENTS
- ✓ 100kA SCCR RATING

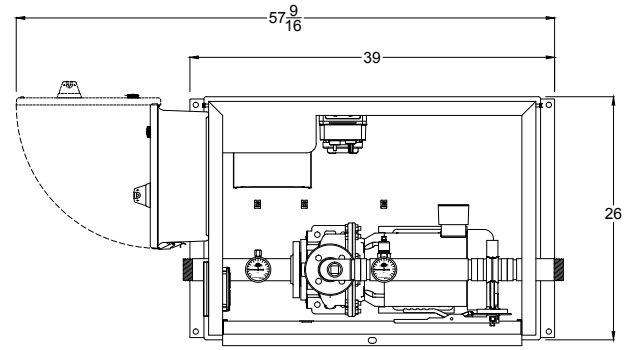


- Maximum efficient VFD with quick-start guide
- HOA switch for manual operation
- Manual pump speed control dial
- 120 VAC/4 AMP power outlet
- 24 VAC pump start relay

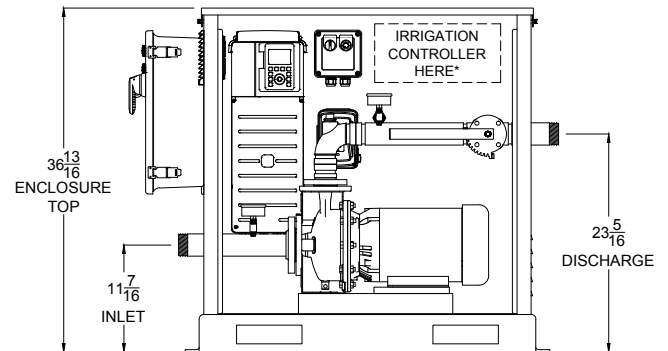


STANDARD FEATURES

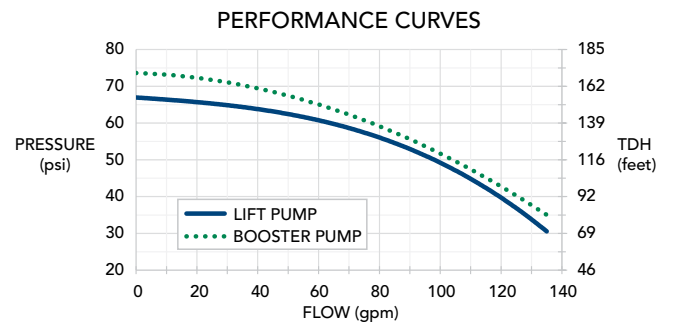
- Energy efficient Variable Frequency Drive (VFD) maintains constant pressure at varying flow demand
- 24 VAC pump start relay included
- UL Type 3R, UL508A listed composite power enclosure with 60 AMP fused disconnect
- 120 VAC/4 AMP power outlet
- Marine grade aluminum station enclosure and base
- Pad-lockable station and power enclosure
- Surge-free starting allows for slow pipe fill at pump start up
- HOA switch for manual and automatic operation
- Manual pump speed control dial
- Stainless steel Horizontal Centrifugal Pump (Booster)/ Self-Priming Horizontal Centrifugal Pump (Suction Lift) both with mechanical seal
- External green system run indicator light
- External red system fault indicator light
- System fault protection alerts:
 - VFD fault shutdown
 - High pump temperature shutdown
 - Motor overload shutdown
 - Transducer failure shutdown
 - Low pressure shut down and pipe break protection
 - High pressure shutdown
 - Phase loss (3 phase only)
 - Loss of prime
 - Pump deadhead shutdown
- 304 stainless steel piping
- Horizontal premium efficient TEFC motor
- 1" priming port
- Pump thermal protection switch
- Stainless steel pressure transducer
- Station enclosure ventilation fan
- Station inlet and discharge pressure gauges
- Threaded NPT inlet and outlet connections
 - Booster: 2" inlet & outlet
 - Suction Lift: 3" inlet & 2" outlet
- Discharge isolation valve
- Low level float switch w/ 50ft cable (Suction Lift)
- 3" foot valve (Suction Lift)



Lid removed.



Front panel removed.



At Suction Lift height of 10 feet.



For more information on Watertronics Pump Systems, visit watertronics.com



Watertronics PSN provides nationwide parts sales and technical service for installations, startup, user training and maintenance.



www.watertronics.com | 1-800-356-6686